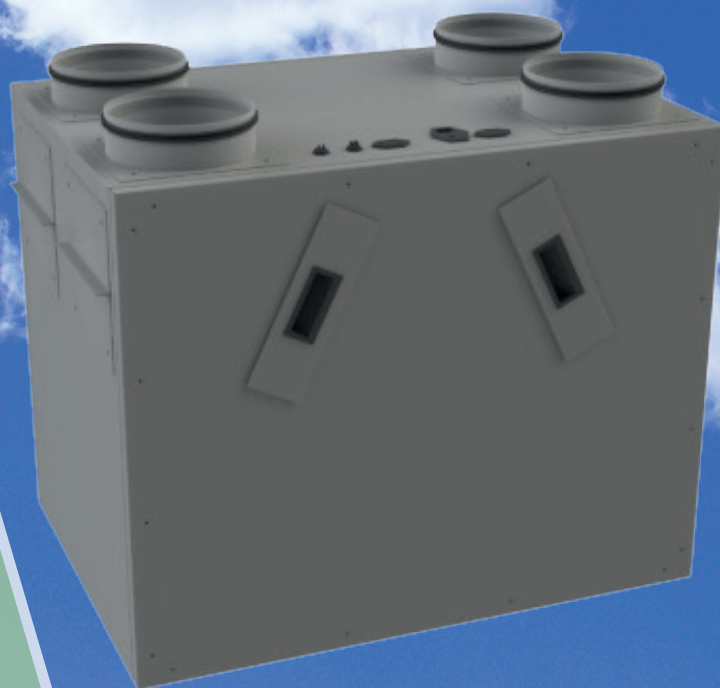


TriaAir[®]

Ventilationsanlæg med
høj varmegenvinding og fugtstyring

Tekniske data

VENTI 500 - 500/725 m³ - Combi model



Overholder
2020 kravene

5 års garanti
Iflg. AB18

A⁺

Temperaturområde
-20°C til +60°C

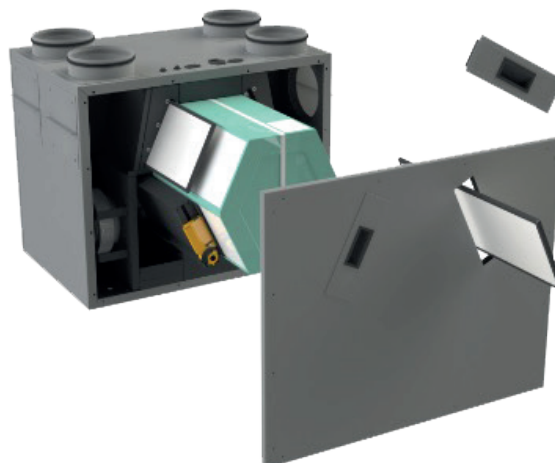


Digitalt display



App

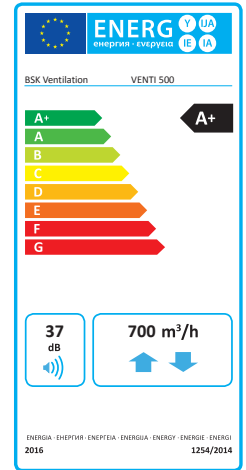
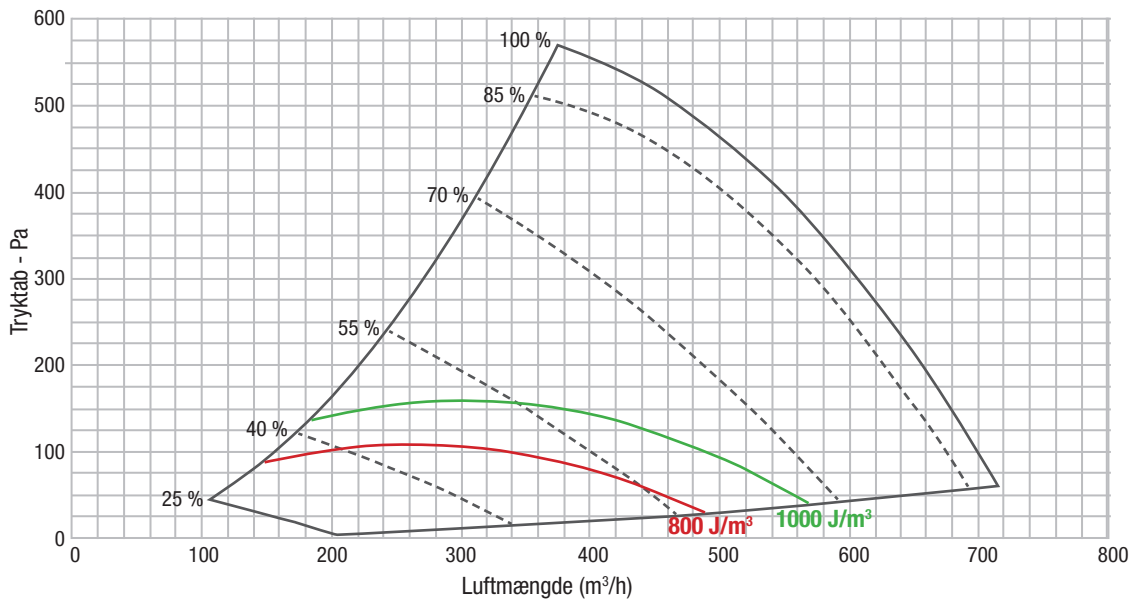
Varenr.: TWHEATN0500 - APP/DIGITAL styring
Farve: RAL 09618 MGN39



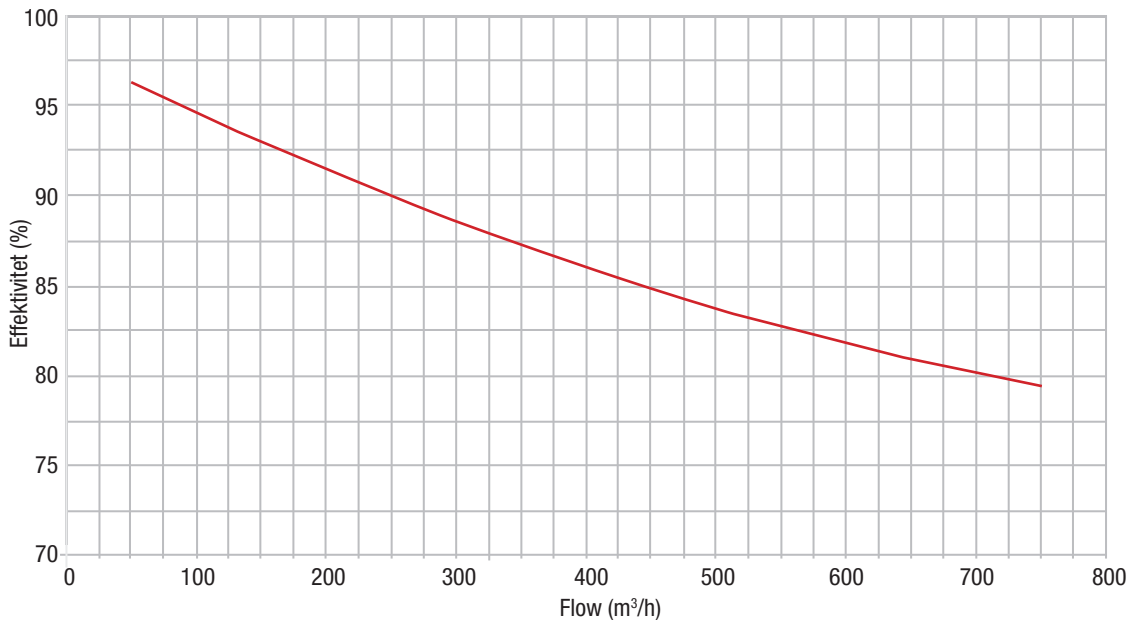
Tekniske data

VENTI 500 - 500/725 m³

Flowdiagram



Temperaturvirkningsgrad



Lyddata (L_{wa})

Tryktab	Støjniveau	Lydeffektniveau dB (A)								
		Frekvens Hz	63	125	250	500	1000	2000	4000	8000
100% (700 m³/h@100 Pa)	Indblæsning	51,7	52,5	48,9	47,5	53,2	47,2	51,5	45,9	59,5
	Afkast	45,9	46,0	49,4	46,3	34,3	33,4	27,9	25,9	53,3
	Kabinet	28,1	37,3	40,9	40,5	45,3	37,3	31,8	29,7	48,5
50% (350 m³/h@100 Pa)	Indblæsning	48,8	46,3	39,4	45,3	45,3	44,5	47,9	40,9	54,7
	Afkast	41,1	45,2	44,4	43,2	31,7	31,8	23,9	20,3	49,9
	Kabinet	25,3	35,3	38,6	38,2	42,8	34,9	29,2	27,4	46,1

Tekniske data

VENTI 500 - 500/725 m³



Ecodesign

Ventilationsanlæg til boliger iht. EU 1254/2014

Produkt	VENTI 500
Producent/varemærke	BSK
Produkt model	VENTI 500 APP styring/digitalt kontrolpanel
Specifikt energiforbrug *SEC (klasse)	A+
Specifikt energiforbrug *SEC (gennemsnit)	-42.90 kWh/(m ² .a)
Specifikt energiforbrug SEC (kold)	-81.91 kWh/(m ² .a)
Specifikt energiforbrug SEC (varm)	-17.93 kWh/(m ² .a)
Produkttype	Ventilationsaggregat til boliger/tovejs
Type drev (flertrinsdrev el. trinløs regulering(VSD))	Trinløs regulering (VSD)
Type varmegenvindingssystem	Recuperativ
Temperaturvirkningsgrad af varmegenvinding	88,6 %
Maksimal volumenstrøm	700 m ³ /h
Maksimal elektrisk effekt	330 W
Lydeffektniveau (Lwa)	37 dB(A)
Referencevolumenstrøm	0.140 m ³ /s
Referencetrykforskel	50 Pa
SEL *(SPI)	0.21 W/(m ³ /h)
Kontroltype	Local Demand Control
Reguleringsfaktor	0.65
Intern/ekstern lækage	< 2%
Casing leakage class	L1
Visuelle filteralarmer	JA (Se i manualen)
Brugermanual, webadresse	www.termicplus.dk
Årligt elektricitetsforbrug *AEC (gennemsnit)	167 kWh/a (100 m ²)
Årlig varmebesparelse *AHS (gennemsnit)	4641 kWh/a (100 m ²)
Årlig varmebesparelse AHS (kold)	9079 kWh/a (100 m ²)
Årlig varmebesparelse AHS (varm)	2099 kWh/a (100 m ²)
Demontage	www.termicplus.dk

*AEC: Annual Electricity Consumption, *AHS: Annual Heat Savings, *SEC: Specific Energy Consumption, *SPI: Specific Power Input

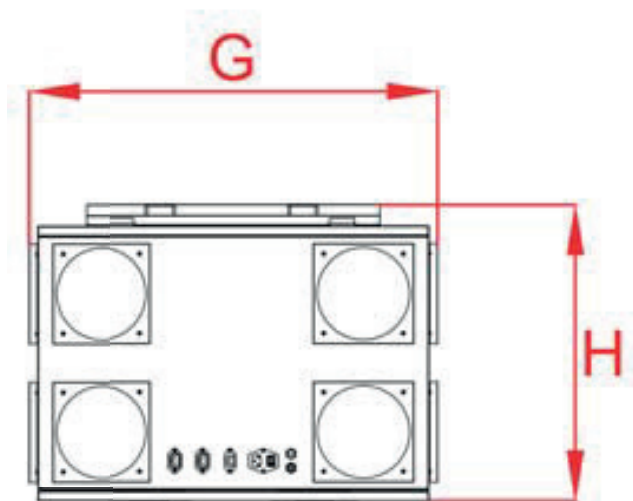
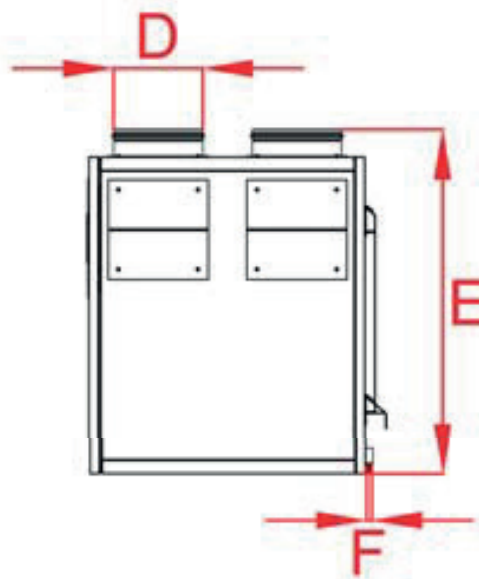
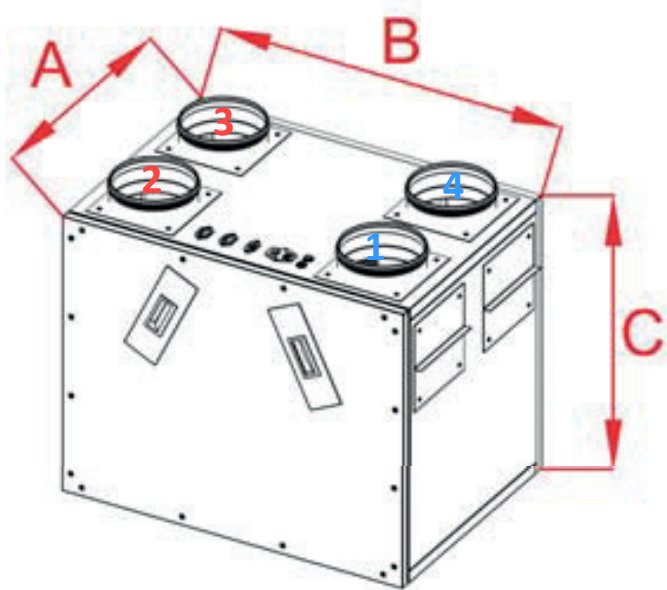


Tekniske data

VENTI 500 - 500/725 m³

Tegning

Alle mål er i mm



Udsugning



Afkast



Indblæsning



Indtag

Tilslutninger

- 1 INDTAG - Udefra og ind i varmeveksler
- 2 INDBLÆSNING - Fra varmeveksler og ind i bolig
- 3 UDSUGNING - Fra bolig og ind i varmeveksler
- 4 AFKAST - Fra varmeveksler til udenfor

	A	B	C	D	E	F	G	H
VENTI 500	555	785	635	160	690	11	820	597

Tekniske data

VENTI 500 - 500/725 m³

Certifikat




MACHINERY DIRECTIVE ATTESTATION OF CONFORMITY

Technical file of the company mentioned below has been inspected and audit has been completed successfully.

2006/42/EC Machinery Directive Annex VIII has been taken as references for these processes.

Company Name	: BSK Havalandırma Ekipmanları Anonim Şirketi
Company Address	: Mimar Sinan Mah. Basra Cad. No:59 Sultanbeyli ISTANBUL / TURKEY
Related Directives and Annex	: Machinery Directive 2006/42/EC / Annex VIII
Related Standards	: EN ISO 12100, EN ISO 14120, EN 60204-1
Product Name	: Heat Recovery Device
Product Brand/Model/Type	: BRHR-100 S, BRHR 100 H, BRHR 100 V, BRHR-150 V, BRHR-150 H, BRHR-150 S, BRHR 150 SLIM, BRHR-180 V, BRHR-180 H, BRHR-180 S, BRHR 220 S, BRHR 220 V, BRHR 220 H, BRHR-325 V, BRHR-325 H, BRHR-325 S, BRHR-400 V, BRHR-400 H, BRHR-400 S, BRHR-500 V, BRHR-500 H, BRHR-500 S, BRHR-750 V, BRHR-750 H, BRHR-750 S, BRHR-1000 V, BRHR-1000 H, BRHR-1000 S, BRHR-1500 V, BRHR-1500 H, BRHR-1500 S, BRHR-2000 V, BRHR-2000 H, BRHR-2000 S, BRHR-2500 V, BRHR-2500 H, BRHR-2500 S, BRHR-3000 V, BRHR-3000 H, BRHR-3000 S, BRHR-3500 V, BRHR-3500 H, BRHR-3500 S, BRHR-4000 V, BRHR-4000 H, BRHR-4000 S, BRHR-4500 V, BRHR-4500 H, BRHR-4500 S, BRHR-5000 V, BRHR-5000 H, BRHR-5000 S, VENTI 100, VENTI 150, VENTI 200, VENTI 300, VENTI 400, VENTI 500, BRHR PLUS 500 S, BRHR PLUS 500 V, BRHR PLUS 500 H, BRHR PLUS 1000 S, BRHR PLUS 1000 V, BRHR PLUS 1000 H, BRHR PLUS 1500 S, BRHR PLUS 1500 V, BRHR PLUS 1500 H, BRHR PLUS 2000 S, BRHR PLUS 2000 V, BRHR PLUS 2000 H, BRHR PLUS 2500 S, BRHR PLUS 2500 V, BRHR PLUS 2500 H, BRHR PLUS 3000 S, BRHR PLUS 3000 V, BRHR PLUS 3000 H, BRHR PLUS 4000 S, BRHR PLUS 4000 V, BRHR PLUS 4000 H, SCHOLAR-500, SCHOLAR-700

Certificate Number	: M.2021.103.ST.1195.03	 <p>UDEM International Certification Auditing Training Centre Industry and Trade Inc. Co.</p>
Initial Assessment Date	: 24.12.2021	
Registration Date	: 29.12.2021	
Reissue Date/No	: 21.12.2022/01	
Expiry Date	: 28.12.2023	

The validity of the certificate can be checked through www.udem.com.tr. Upon completion of EC declaration of conformity, it is used solely at the manufacturer's responsibility. This certificate remains the property of UDEM International Certification Auditing Training Centre Industry and Trade Inc. Co. to whom it must be returned upon request. The above named firm must keep a copy of this certificate for 15 years from the registration of certificate. This certificate only covers the product(s) stated above and UDEM must be noticed in case of any changes on the product(s)

Address: Muftukent Mahallesi 2073 Sokak (Eski 93 Sokak) No:10 Çankaya – Ankara – TURKEY
Phone: +90 0312 443 03 90 **Fax:** +90 0312 443 03 76
E-mail: info@udem.com.tr www.udem.com.tr



Tekniske data

VENTI 500 - 500/725 m³

Overensstemmelseserklæring CE

**AT UYGUNLUK BEYANI**
(EC Declaration of Conformity)**Unvan / Company Name:** BSK HAVALANDIRMA EKİPMANLARI A.Ş.**Adres / Address:** Mimar Sinan Mah. Basra Cad. No: 59 Sultanbeyli / İSTANBUL-TÜRKİYE**Makine Adı / Machine:** ISI GERİ KAZANIM CİHAZI / HEAT RECOVERY DEVICE**Model Adı / Model Name:**

BRHR-100 V, BRHR-100 H, BRHR-100 S, BRHR-150 Slim, BRHR-150 V, BRHR-150 H, BRHR-150 S, BRHR-180 V, BRHR-180 H, BRHR-180 S, BRHR 220 S, BRHR 220 V, BRHR 220 H, BRHR-325 V, BRHR-325 H, BRHR-325 S, BRHR-400 V, BRHR-400 H, BRHR-400 S, BRHR-500 V, BRHR-500 H, BRHR-500 S, BRHR-750 V, BRHR-750 H, BRHR-750 S, BRHR-1000 V, BRHR-1000 H, BRHR-1000 S, BRHR-1500 V, BRHR-1500 H, BRHR-1500 S, BRHR-2000 V, BRHR-2000 H, BRHR-2000 S, BRHR-2500 V, BRHR-2500 H, BRHR-2500 S, BRHR-3000 V, BRHR-3000 H, BRHR-3000 S, BRHR-3500 V, BRHR-3500 H, BRHR-3500 S, BRHR-4000 V, BRHR-4000 H, BRHR-4000 S, BRHR-4500 V, BRHR-4500 H, BRHR-4500 S, BRHR-5000 V, BRHR-5000 H, BRHR-5000 S, VENTI 100, VENTI 150, VENTI 200, VENTI 300, VENTI 400, VENTI 500, BRHR PLUS 500 S, BRHR PLUS 500 V, BRHR PLUS 500 H, BRHR PLUS 1000 S, BRHR PLUS 1000 V, BRHR PLUS 1000 H, BRHR PLUS 1500 S, BRHR PLUS 1500 V, BRHR PLUS 1500 H, BRHR PLUS 2000 S, BRHR PLUS 2000 V, BRHR PLUS 2000 H, BRHR PLUS 2500 S, BRHR PLUS 2500 V, BRHR PLUS 2500 H, BRHR PLUS 3000 S, BRHR PLUS 3000 V, BRHR PLUS 3000 H, BRHR PLUS 4000 S, BRHR PLUS 4000 V, BRHR PLUS 4000 H, SCHOLAR-500, SCHOLAR-700

Uygulanan Yönetmelikler / Applied regulations

Bizler Montaj-İmalatını yaptığımız ISI GERİ KAZANIM CİHAZI aşağıdaki direktif koşullarını karşıladığını beyan ederiz.

We declare that the HEAT RECOVERY DEVICE that we assemble and manufacture meets the following directive conditions.

- 2006/42/EC Makine Emniyet Yönetmeliği-EK I / 2006/42/EC Machinery Safety Directive-Annex I

Uygulanan Standartlar / Applied Standards

- TS EN ISO 12100:2010, TS EN ISO 14120

Yetkili/Adı Soyadı / Name : TURAN OKAR**Date:** 16/03/2022**Ünvanı / Title** : Genel Müdür / General manger**İmza, Kaşe / Signature**