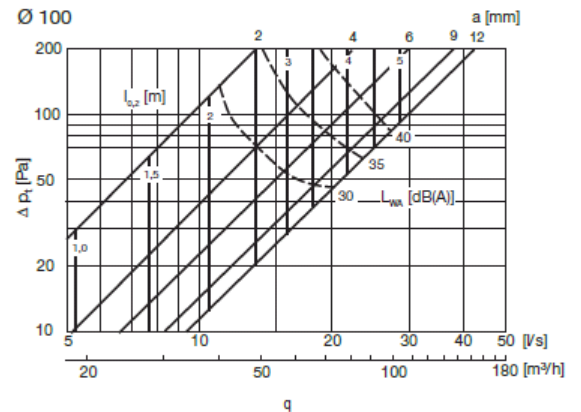


BVI indblæsningsventil Uden ramme

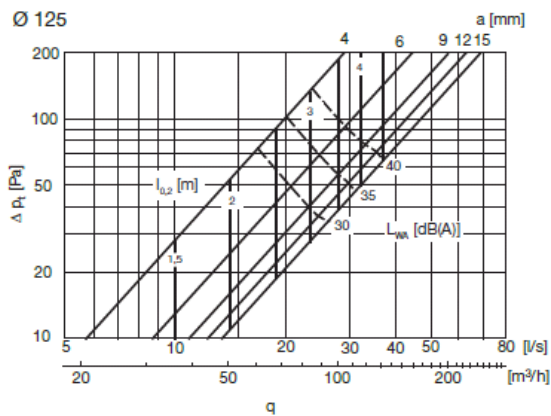
Varenr. TW1*



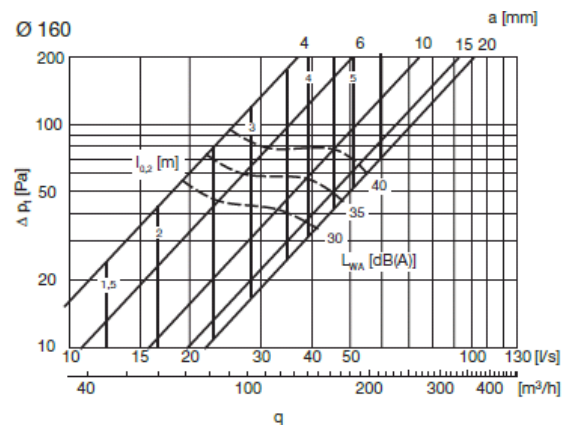
BVI Ø100 - Luftstrøm / tryktab / lydniveau



BVI Ø125 - Luftstrøm / tryktab / lydniveau



BVI Ø160 - Luftstrøm / tryktab / lydniveau



Technical data

With sector plate

Air flow, q [l/s] and [m³/h], total pressure drop, Δp_t [Pa], throw length, $l_{0,2}$ [m], and A-weighted sound power level, L_{WA} [dB], for different settings, a [mm], are shown in the graphs.

Maximal vertical width, b_v [m] and Maximal horizontal width, b_h [m], are shown in the tables.

Sound power level, L_{wOk} [dB], in octave bands is calculated as $L_{WA} + K_{Ok}$.

K_{Ok} is found in the table below.

Ød nom	Valve mounted in	Centre frequency [Hz]							
		63	125	250	500	1K	2K	4K	8K
100	Duct	-	-2	-2	-4	-6	-8	-8	-16
125	Duct	-	-1	-1	-1	-4	-12	-19	-33
160	Duct	-	3	0	-2	-5	-10	-21	-35

Tolerance	-	±3	±2	±2	±2	±2	±2	±2	±3
-----------	---	----	----	----	----	----	----	----	----

Lydschema:

Dæmpning (db) i frekvens(Hz):									
Ød mm	Mont. i:	63	125	250	500	1000	2000	4000	8000
100	Rør	22	18	13	11	9	8	7	8
125	Rør	20	16	11	9	9	7	6	5
160	Rør	18	14	10	9	9	7	6	6

Tolerance	±6	±3	±2	±2	±2	±2	±2	±2	±3
-----------	----	----	----	----	----	----	----	----	----

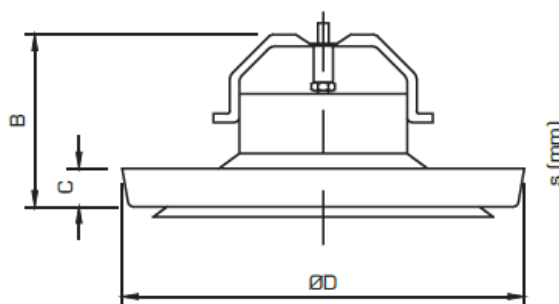
Description

Manufactured from sheet steel painted white Satin. Valve for supply air. Designed for ceiling and wall mounting. Equipped with a removable blanking-off sector plate for preventing the air flow in a desired direction.

Applications

Suitable for offices, houses, etc. easy installation on the wall or in the ceiling.

Dimensions and weights



Size	ØD	Ød	B	Weight g
100	143	67	17	270
125	173	76	18	430
160	216	80	19	580

Air jet diffusion pattern

Maximal vertical width, b_v [m]:

Setting a [mm]	Supply air temperature difference Δt	
	±0 °C	-10 °C
4	$b_v = 0,04 \cdot l_{02}$	$b_v = 0,064 \cdot l_{02}$
12	$b_v = 0,04 \cdot l_{02}$	$b_v = 0,075 \cdot l_{02}$



Maximal horizontal width, b_h [m]:

Setting a [mm]	Supply air temperature difference Δt	
	±0 °C	-10 °C
4	$b_h = 1,45 \cdot l_{02}$	$b_h = 1,15 \cdot l_{02}$
12	$b_h = 1,45 \cdot l_{02}$	$b_h = 1,09 \cdot l_{02}$

