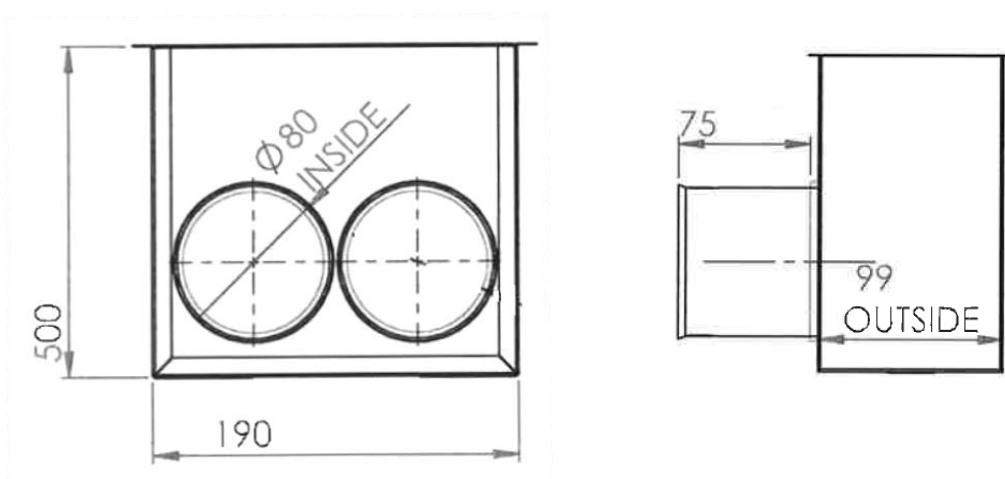


TriaAir fordelerboks

Gulv - 200x100, H500 mm - 2 muffer Ø75

Varenr. MC75GB02200100-3



Flowdiagram

MC75GB02200100-3	
Flow Rate [m ³ /h]	Resistance [Pa]
20	0,8
30	1,1
40	2
60	4,2

