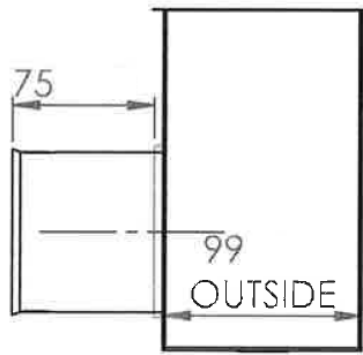
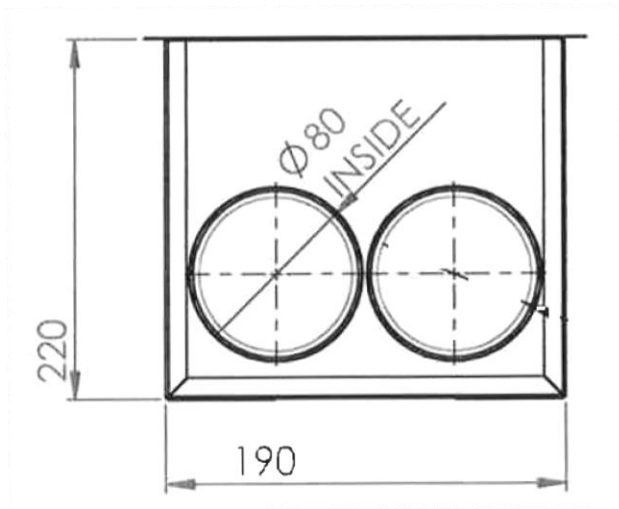


**Gulvboks – 200x100, H:220 mm - 2 muffer  $\phi$ 75**

MC75GB02200100



MC75GB02200100	
Flow Rate [m <sup>3</sup> /h]	Resistance [Pa]
20	0,8
30	1,1
40	2
60	4,2

