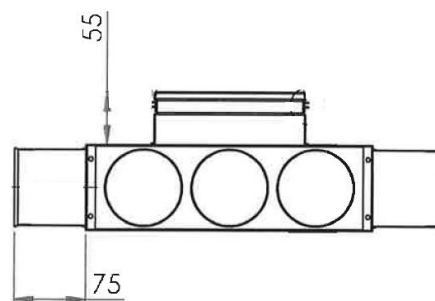
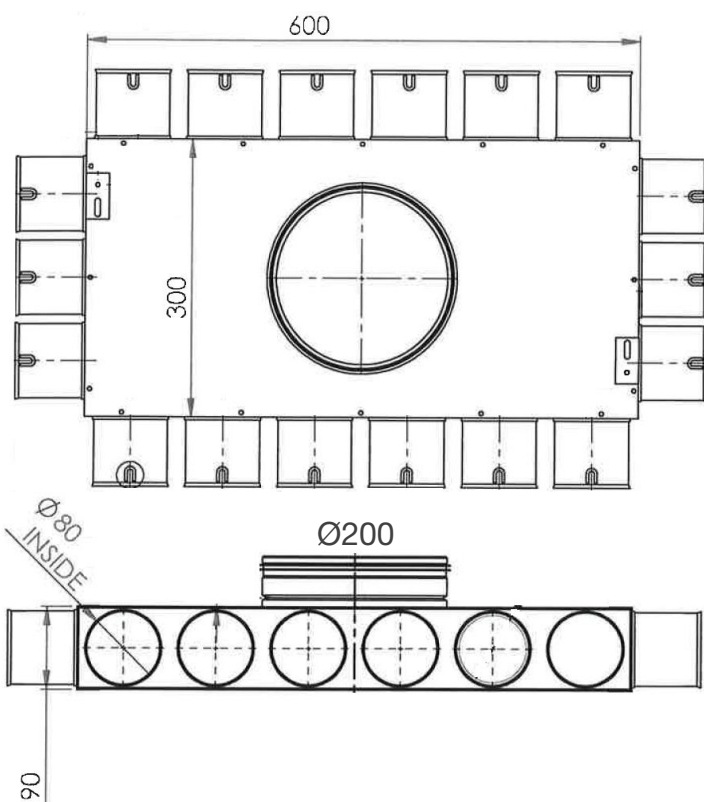
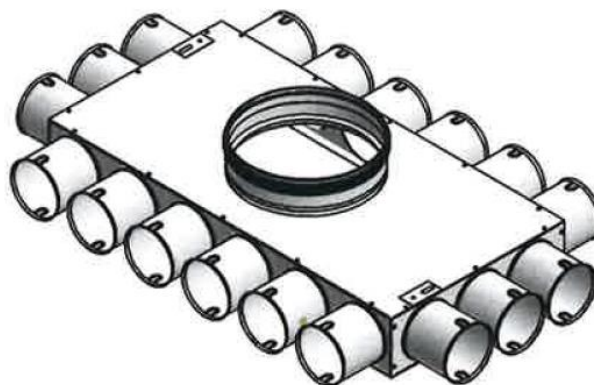


TriaAir fordelerboks

Ø200 nippel – 18 muffler Ø75

Varenr. MC75B18200



Flowdiagram

MC75B18200	
Flow Rate [m ³ /h]	Resistance [Pa]
250	4
300	4,7
380	6
495	8
560	9
610	10

