

# TriaAir<sup>®</sup>

Ventilationsanlæg med  
høj varmegenvinding og fugtstyring

## Tekniske data

BRHR-150 Slim - 150/285 m<sup>3</sup>/t

- Slim model til ophængning under loft



Overholder  
2020 kravene

5 års garanti  
Iflg. AB18

A

Temperaturområde  
-25°C til +60°C



Digitalt display



App

Varenr.: TWHEATB105 - DIGITAL

Varenr.: TWCHEATL105 - APP

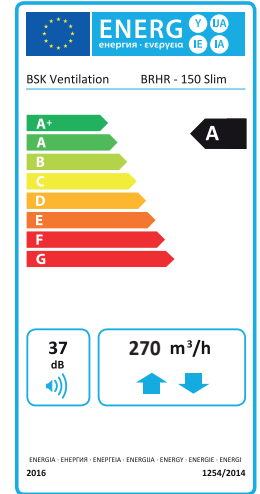
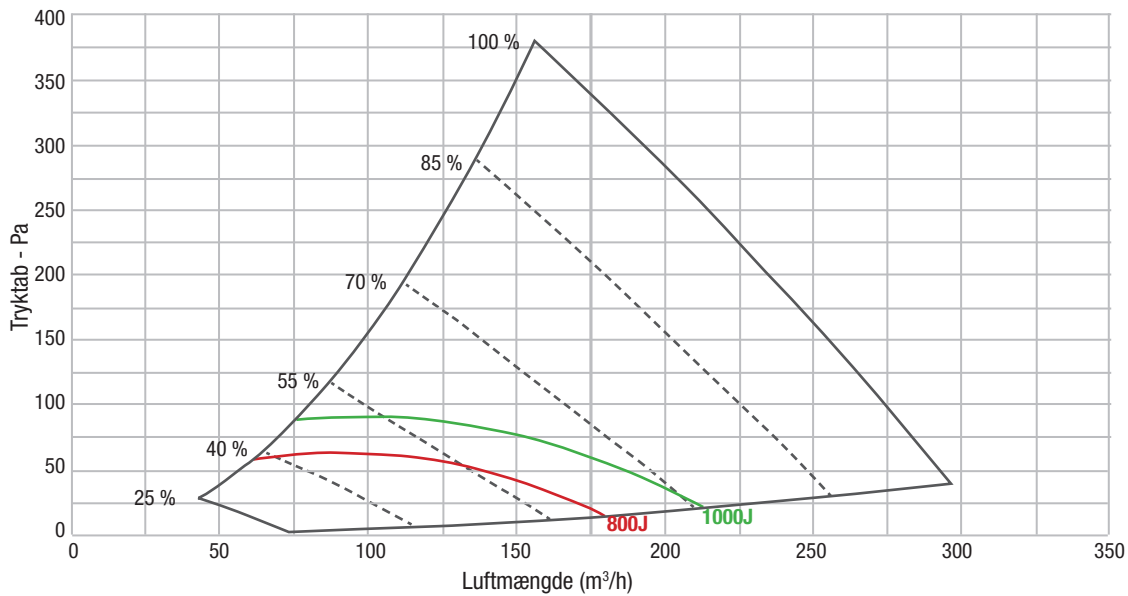
Vægt: 38 kg

Farve: RAL 9003 glans 30 (hvid)

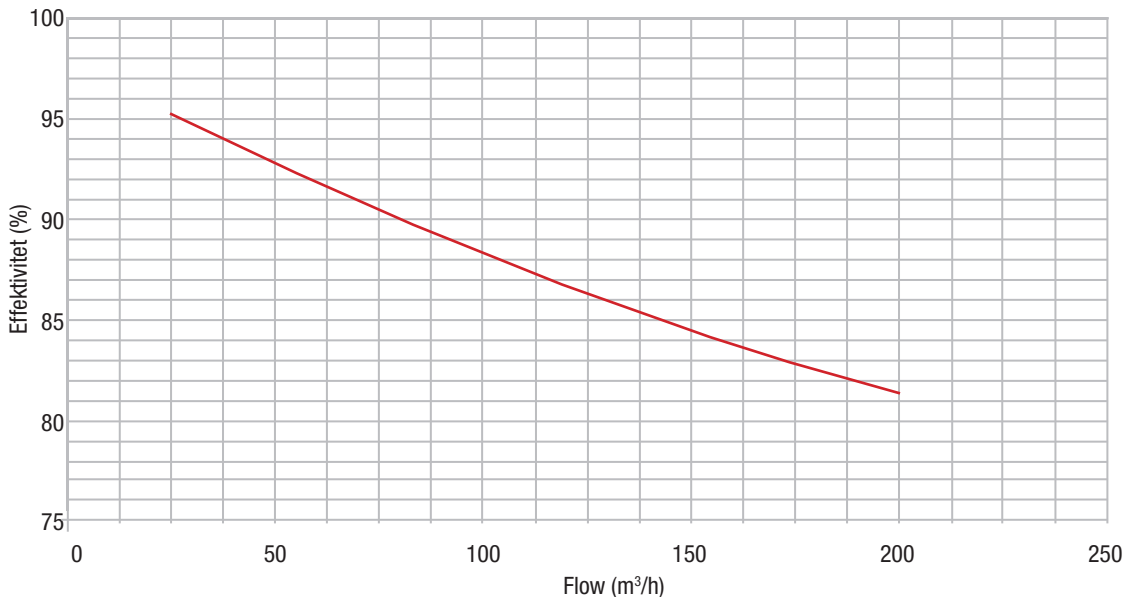
## Tekniske data

BRHR-150 Slim - 150/285 m<sup>3</sup>/t

### Flowdiagram



### Temperaturvirkningsgrad



### Lyddata (L<sub>wa</sub>)

Tryktab	Støjniveau	Lydeffektniveau dB (A)									Gennemsnit Total
		Frekvens Hz	63	125	250	500	1000	2000	4000	8000	
100 Pa	Indblæsning	46	34	40	49	52	38	28	17	38,0	31,5
	Afkast	33	33	35	22	30	19	10	18	25,0	
75 Pa	Indblæsning	44	25	37	46	47	28	25	10	32,8	26,4
	Afkast	25	30	34	16	22	16	9	8	20,0	

## Tekniske data

BRHR-150 Slim - 150/285 m<sup>3</sup>/t



## Ecodesign

Ventilationsanlæg til boliger iht. EU 1254/2014



Produkt	BRHR 150 Slim
Producent/varemærke	BSK
Produkt model	150 Slim App styring/digitalt kontrolpanel
Specifikt energiforbrug *SEC (klasse)	A
Specifikt energiforbrug *SEC (gennemsnit)	-41.10 kWh/(m <sup>2</sup> .a)
Specifikt energiforbrug SEC (kold)	-80.20 kWh/(m <sup>2</sup> .a)
Specifikt energiforbrug SEC (varm)	-16.08 kWh/(m <sup>2</sup> .a)
Produkttype	Ventilationsaggregat til boliger/tovejs
Type drev (flertrinsdrev el. trinløs regulering(VSD))	Trinløs regulering (VSD)
Type varmegenvindingssystem	Recuperativ
Temperaturvirkningsgrad af varmegenvinding	89 %
Maksimal volumenstrøm	270 m <sup>3</sup> /h
Maksimal elektrisk effekt	145 W
Lydeffektniveau (Lwa)	37 dB(A)
Referencevolumenstrøm	0.054 m <sup>3</sup> /s
Referencetrykforskel	50 Pa
SEL *(SPI)	0.34 W/(m <sup>3</sup> /h)
Kontroltype	Local Demand Control
Reguleringsfaktor	0.65
Intern/ekstern lækage	< 2%
Casing leakage class	L1
Visuelle filteralarmer	JA (Se i manualen)
Brugermanual, webadresse	www.termicplus.dk
Årligt elektricitetsforbrug *AEC (gennemsnit)	243 kWh/a (100 m <sup>2</sup> )
Årlig varmebesparelse *AHS (gennemsnit)	4650 kWh/a (100 m <sup>2</sup> )
Årlig varmebesparelse AHS (kold)	9096 kWh/a (100 m <sup>2</sup> )
Årlig varmebesparelse AHS (varm)	2103 kWh/a (100 m <sup>2</sup> )
Demontage	www.termicplus.dk

\*AEC: Annual Electricity Consumption, \*AHS: Annual Heat Savings,  
\*SEC: Specific Energy Consumption, \*SPI: Specific Power Input

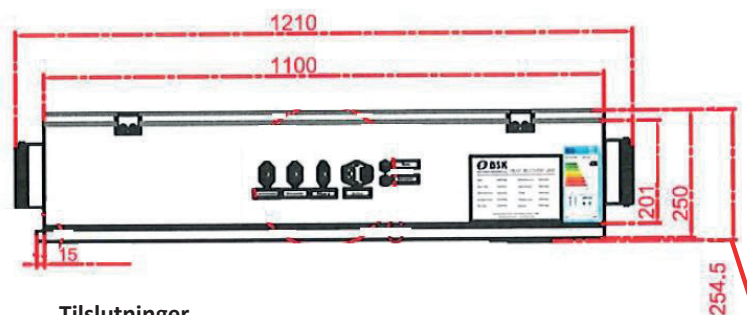
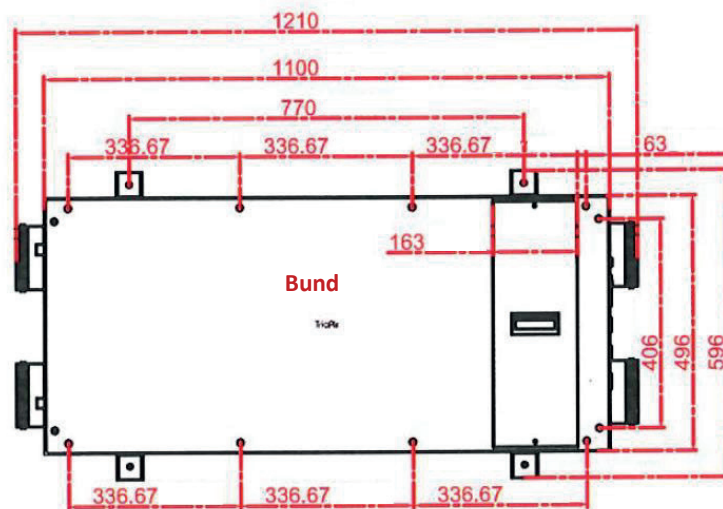


## Tekniske data

BRHR-150 Slim - 150/285 m<sup>3</sup>/t

## Tegning

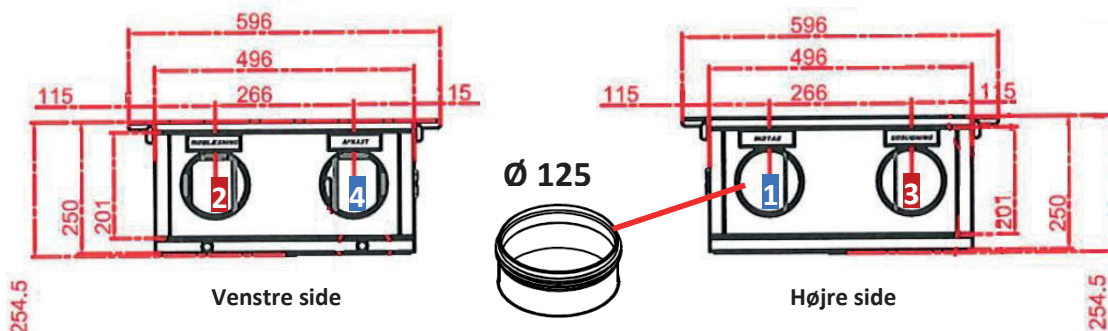
Alle mål er i mm



### Tilslutninger

- 1 **INDTAG** (udefra og ind i varmeveksler)
- 2 **INDBLÆSNING** (fra varmeveksler og ind i bolig)
- 3 **UDSUGNING** (fra bolig og ind i varmeveksler)
- 4 **AFKAST** (fra varmeveksler til udenfor)

Med håndtag i filterlåde og monteringsbeslag





## Tekniske data

BRHR-150 Slim - 150/285 m<sup>3</sup>/t

## Certifikat



## MACHINERY DIRECTIVE ATTESTATION OF CONFORMITY

Technical file of the company mentioned below has been inspected and audit has been completed successfully.

2006/42/EC Machinery Directive Annex VIII has been taken as references for these processes.

Company Name	: BSK Havalandırma Ekipmanları Anonim Şirketi
Company Address	: Mimar Sinan Mah. Basra Cad. No:59 Sultanbeyli İSTANBUL / TURKEY
Related Directives and Annex	: Machinery Directive 2006/42/EC / Annex VIII
Related Standards	: EN ISO 12100, EN ISO 14120, EN 60204-1
Product Name	: Heat Recovery Device
Product Brand/Model/Type	: BRHR-100 S, BRHR 100 H, BRHR 100 V, BRHR-150 V, BRHR-150 H, BRHR-150 S, BRHR 150 SLIM, BRHR-180 V, BRHR-180 H, BRHR-180 S, BRHR 220 S, BRHR 220 V, BRHR 220 H, BRHR-325 V, BRHR-325 H, BRHR-325 S, BRHR-400 V, BRHR-400 H, BRHR-400 S, BRHR-500 V, BRHR-500 H, BRHR-500 S, BRHR-750 V, BRHR-750 H, BRHR-750 S, BRHR-1000 V, BRHR-1000 H, BRHR-1000 S, BRHR-1500 V, BRHR-1500 H, BRHR-1500 S, BRHR-2000 V, BRHR-2000 H, BRHR-2000 S, BRHR-2500 V, BRHR-2500 H, BRHR-2500 S, BRHR-3000 V, BRHR-3000 H, BRHR-3000 S, BRHR-3500 V, BRHR-3500 H, BRHR-3500 S, BRHR-4000 V, BRHR-4000 H, BRHR-4000 S, BRHR-4500 V, BRHR-4500 H, BRHR-4500 S, BRHR-5000 V, BRHR-5000 H, BRHR-5000 S, VENTI 100, VENTI 150, VENTI 200, VENTI 300, VENTI 400, VENTI 500, BRHR PLUS 500 S, BRHR PLUS 500 V, BRHR PLUS 500 H, BRHR PLUS 1000 S, BRHR PLUS 1000 V, BRHR PLUS 1000 H, BRHR PLUS 1500 S, BRHR PLUS 1500 V, BRHR PLUS 1500 H, BRHR PLUS 2000 S, BRHR PLUS 2000 V, BRHR PLUS 2000 H, BRHR PLUS 2500 S, BRHR PLUS 2500 V, BRHR PLUS 2500 H, BRHR PLUS 3000 S, BRHR PLUS 3000 V, BRHR PLUS 3000 H, BRHR PLUS 4000 S, BRHR PLUS 4000 V, BRHR PLUS 4000 H, SCHOLAR-500, SCHOLAR-700
Certificate Number	: M.2021.103.ST.1195.03
Initial Assessment Date	: 24.12.2021
Registration Date	: 29.12.2021
Reissue Date/No	: 21.12.2022/01
Expiry Date	: 28.12.2023

UDEM International Certification  
Auditing Training Centre Industry  
and Trade Inc. Co.

The validity of the certificate can be checked through [www.udem.com.tr](http://www.udem.com.tr). Upon completion of EC declaration of conformity, it is used solely at the manufacturer's responsibility. This certificate remains the property of UDEM International Certification Auditing Training Centre Industry and Trade Inc. Co. to whom it must be returned upon request. The above named firm must keep a copy of this certificate for 15 years from the registration of certificate. This certificate only covers the product(s) stated above and UDEM must be notified in case of any changes on the product(s)

Address: Mutlukent Mahallesi 2073 Sokak (Eski 93 Sokak) No:10 Çankaya – Ankara – TURKEY

Phone: +90 0312 443 03 90 Fax: +90 0312 443 03 76

E-mail: [info@udem.com.tr](mailto:info@udem.com.tr) [www.udem.com.tr](http://www.udem.com.tr)



## Tekniske data

BRHR-150 Slim - 150/285 m<sup>3</sup>/t

Overensstemmelseserklæring / CE

**AT UYGUNLUK BEYANI**  
**(EC Declaration of Conformity)****Unvan / Company Name:** BSK HAVALANDIRMA EKİPMANLARI A.Ş.**Adres / Address:** Mimar Sinan Mah. Basra Cad. No: 59 Sultanbeyli / İSTANBUL-TÜRKİYE**Makine Adı / Machine:** ISI GERİ KAZANIM CİHAZI / HEAT RECOVERY DEVICE**Model Adı / Model Name:**

BRHR-100 V, BRHR-100 H, BRHR-100 S, BRHR-150 Slim, BRHR-150 V, BRHR-150 H, BRHR-150 S, BRHR-180 V, BRHR-180 H, BRHR-180 S, BRHR 220 S, BRHR 220 V, BRHR 220 H, BRHR-325 V, BRHR-325 H, BRHR-325 S, BRHR-400 V, BRHR-400 H, BRHR-400 S, BRHR-500 V, BRHR-500 H, BRHR-500 S, BRHR-750 V, BRHR-750 H, BRHR-750 S, BRHR-1000 V, BRHR-1000 H, BRHR-1000 S, BRHR-1500 V, BRHR-1500 H, BRHR-1500 S, BRHR-2000 V, BRHR-2000 H, BRHR-2000 S, BRHR-2500 V, BRHR-2500 H, BRHR-2500 S, BRHR-3000 V, BRHR-3000 H, BRHR-3000 S, BRHR-3500 V, BRHR-3500 H, BRHR-3500 S, BRHR-4000 V, BRHR-4000 H, BRHR-4000 S, BRHR-4500 V, BRHR-4500 H, BRHR-4500 S, BRHR-5000 V, BRHR-5000 H, BRHR-5000 S, VENTI 100, VENTI 150, VENTI 200, VENTI 300, VENTI 400, VENTI 500, BRHR PLUS 500 S, BRHR PLUS 500 V, BRHR PLUS 500 H, BRHR PLUS 1000 S, BRHR PLUS 1000 V, BRHR PLUS 1000 H, BRHR PLUS 1500 S, BRHR PLUS 1500 V, BRHR PLUS 1500 H, BRHR PLUS 2000 S, BRHR PLUS 2000 V, BRHR PLUS 2000 H, BRHR PLUS 2500 S, BRHR PLUS 2500 V, BRHR PLUS 2500 H, BRHR PLUS 3000 S, BRHR PLUS 3000 V, BRHR PLUS 3000 H, BRHR PLUS 4000 S, BRHR PLUS 4000 V, BRHR PLUS 4000 H, SCHOLAR-500, SCHOLAR-700

**Uygulanan Yönetmelikler / Applied regulations**

Bizler Montaj-İmalatını yaptığımız ISI GERİ KAZANIM CİHAZI aşağıdaki direktif koşullarını karşıladığını beyan ederiz.

We declare that the HEAT RECOVERY DEVICE that we assemble and manufacture meets the following directive conditions.

- 2006/42/EC Makine Emniyet Yönetmeliği-EK I / 2006/42/EC Machinery Safety Directive-Annex I

**Uygulanan Standartlar / Applied Standards**

- TS EN ISO 12100:2010, TS EN ISO 14120

**Yetkili/Adı Soyadı / Name** : TURAN OKAR**Date:** 16/03/2022**Ünvanı / Title** : Genel Müdür / General manger**İmza, Kaşe / Signature**