

ABA MINI



- ① **Rolled-up band edges**
- ② **Band tongue** that fits under the hose is profiled for added strength.
- ③ **Hexagonal head** and can be tightened with a flexible socket.
- ④ **The nut is retained** even if the screw is removed.

A durable solution for quick and safe clamping

ABA Mini Standard clamp is particularly suitable for use on small, thin-walled hoses. This little clamp provides an excellent clamping force well over screwless clamps.

Advantages at a glance

- Excellent clamping force well over screwless clamps.
- The band is stamped with the ABA brand name and its size.

Typical applications

- For small thin-walled hoses

Material

S	S30	S40	S50	S60
(W1)		(W4)		
X		X		

Type of bands housing and screw

ABA Mini S10 combi slot screw.

- Pre-galvanized clamp. Combi slot screw permits use of various installation tools.

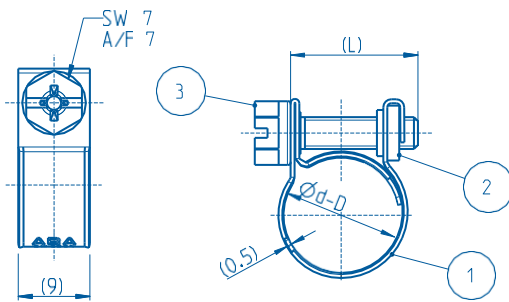


ABA Mini S40 cross slot screw.

- Durable small clamp. Stainless steel construction is ideal for demanding environments.



Dimensions



Specifications

ABA MINI					
Width	Clamping ranges	Clamping ranges	Thickness	S10	S40
(B mm)	(D mm)	(D in.)	(S mm)	Product No.	Product No.
9	7	1/4	0.5	0810 6101 007	0810 3002 007
	8	5/16	0.5	0810 6101 008	0810 3002 008
	9	3/8	0.5	0810 6101 009	0810 3002 009
	10	3/8	0.5	0810 6101 010	0810 3002 010
	11	7/16	0.5	0810 6101 011	0810 3002 011
	12	1/2	0.5	0810 6101 012	0810 3002 012
	13	1/2	0.5	0810 6101 013	0810 3002 013
	14	9/16	0.5	0810 6101 014	0810 3002 014
	15	9/16	0.5	0810 6101 015	0810 3002 015
	16	5/8	0.5	0810 6101 016	0810 3002 016
	17	11/16	0.5	0810 6101 017	0810 3002 017