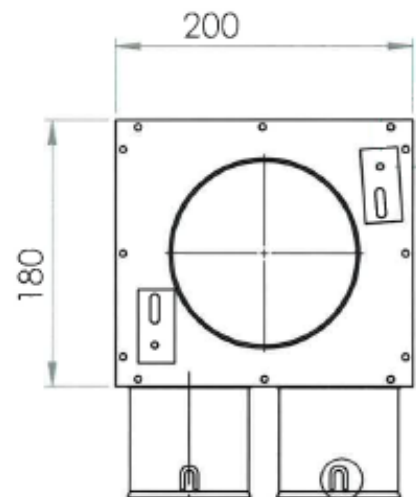
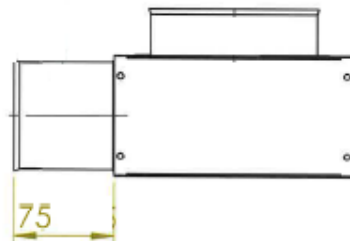
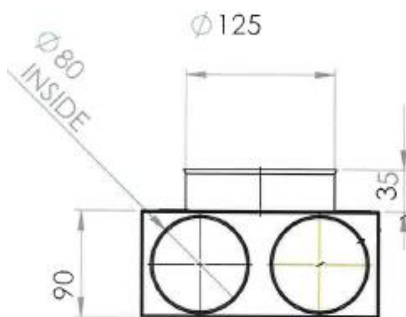
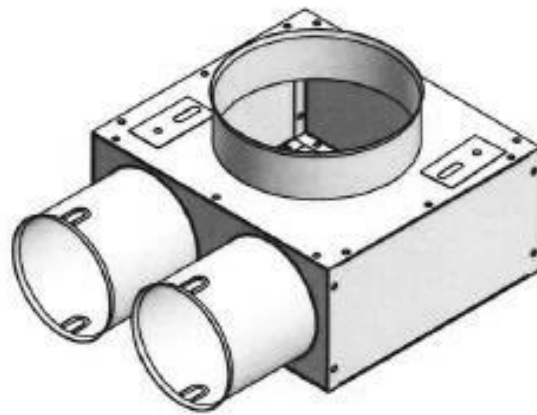


TriaAir fordelerboks

Vinkel Ø125 / H125 mm - 2 muffer Ø75

Varenr. MC75V02125-3



Flowdiagram

MC75V02125-3	
Flow Rate [m ³ /h]	Resistance [Pa]
20	1
30	1,4
40	2
60	4,4

