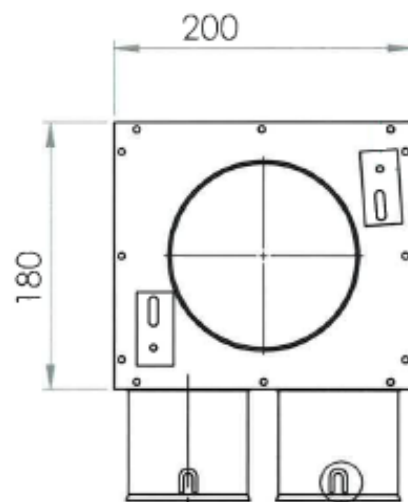
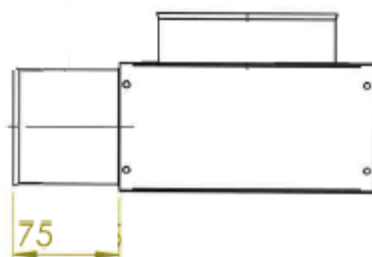
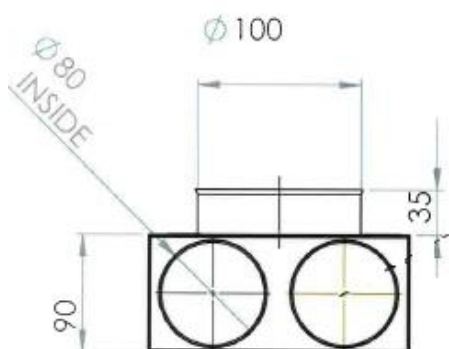
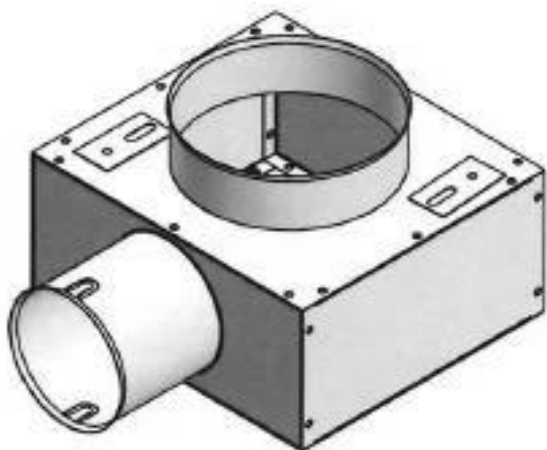


TriaAir fordelerboks

Vinkel Ø100 / H125 mm - 2 muffler Ø75

Varenr. MC75V02100-3



Flowdiagram

MC75V02100-3	
Flow Rate [m ³ /h]	Resistance [Pa]
20	1
30	1,5
40	2,1
60	4,5

