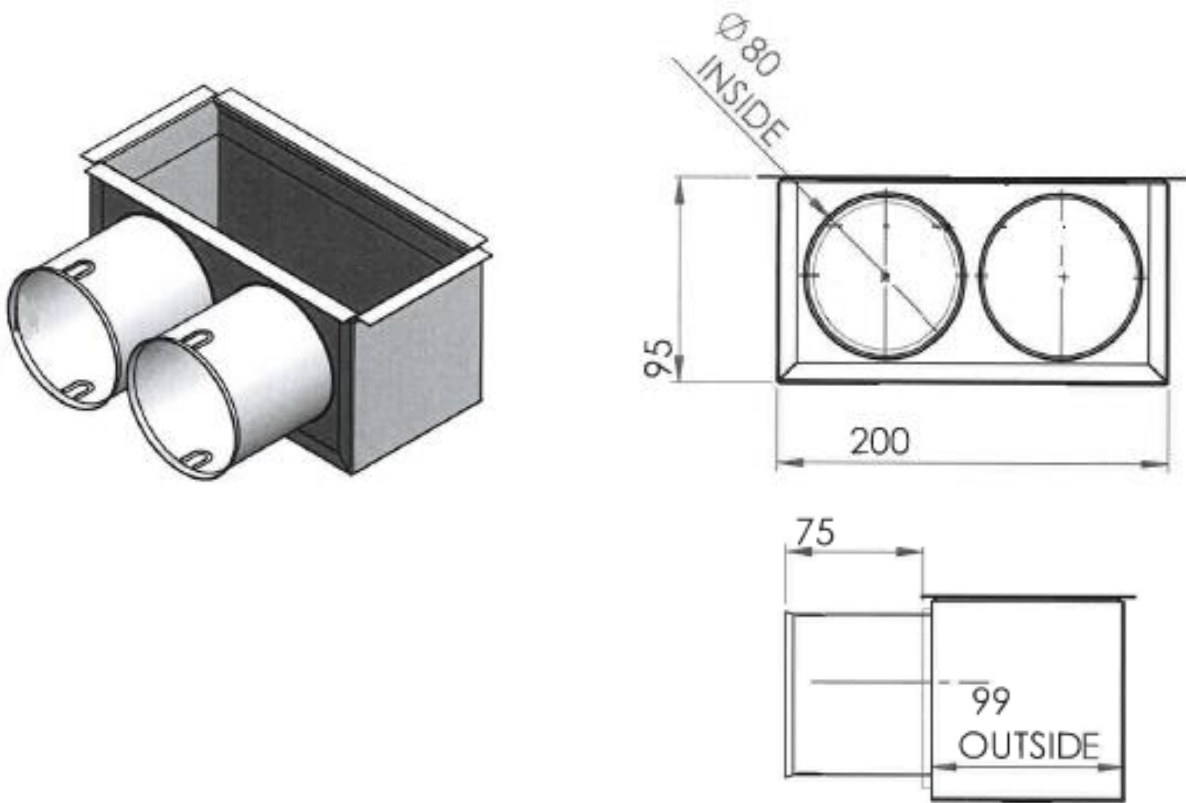


Vægboкс – 200x100, H:95 - 2 muffer $\varnothing 75$

MC75VB02200100



MC75VB02200100	
Flow Rate [m ³ /h]	Resistance [Pa]
20	0,8
30	1,1
40	2
60	4,2

